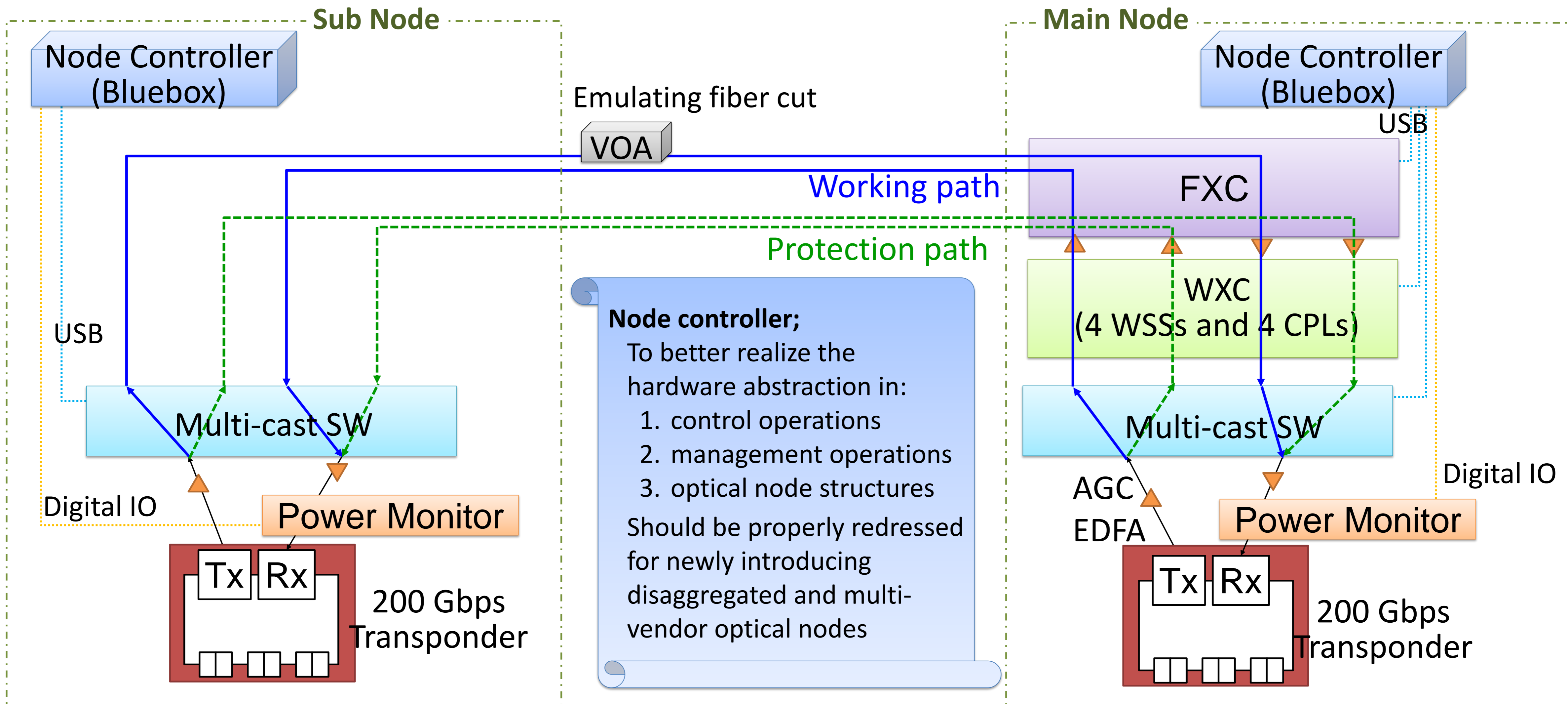


Fast Protection Switching in Disaggregated Optical Nodes by Inter-blade Cooperation

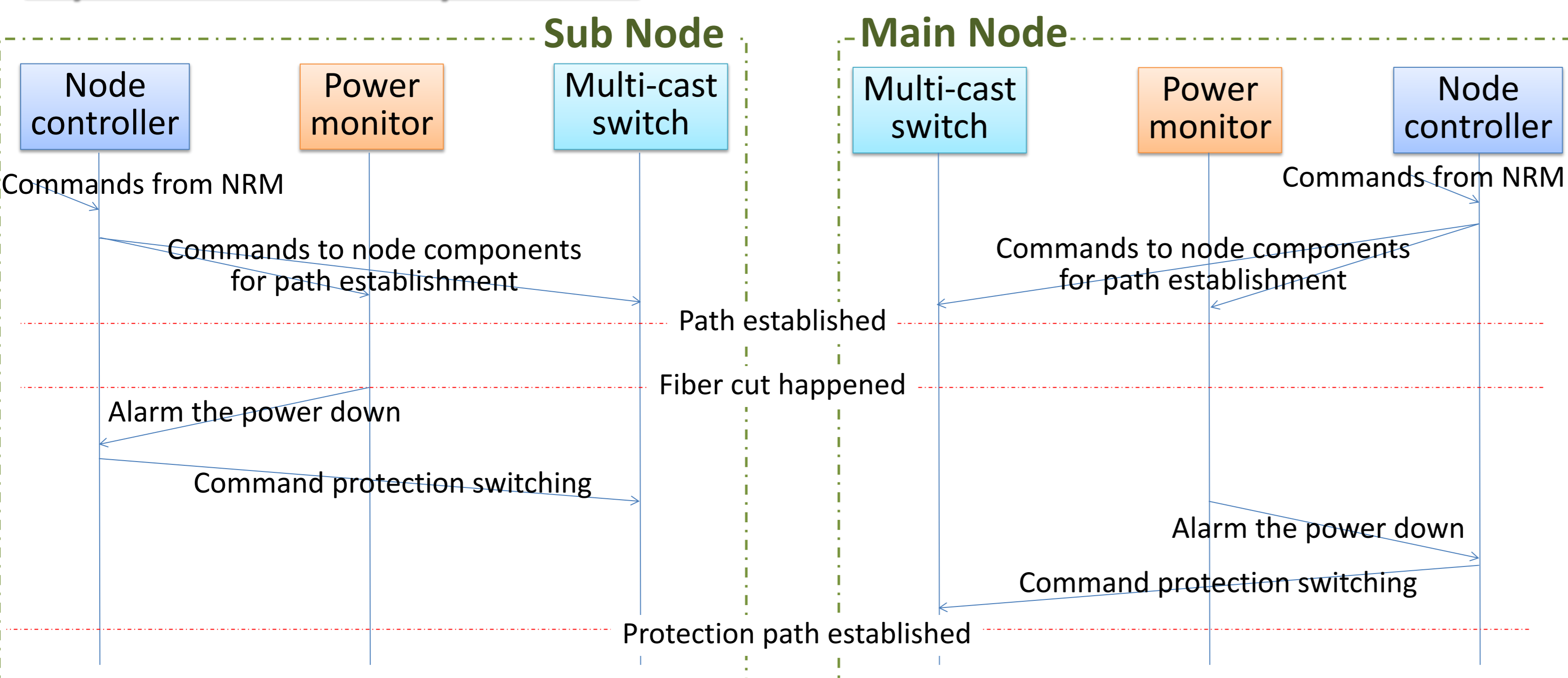
- Demonstrate inter-blade fast optical protection (< 3ms)
- Implement a node controller on a general purpose x86 server
- Use standard interfaces for control node components

Related technical presentation:
W1D.5

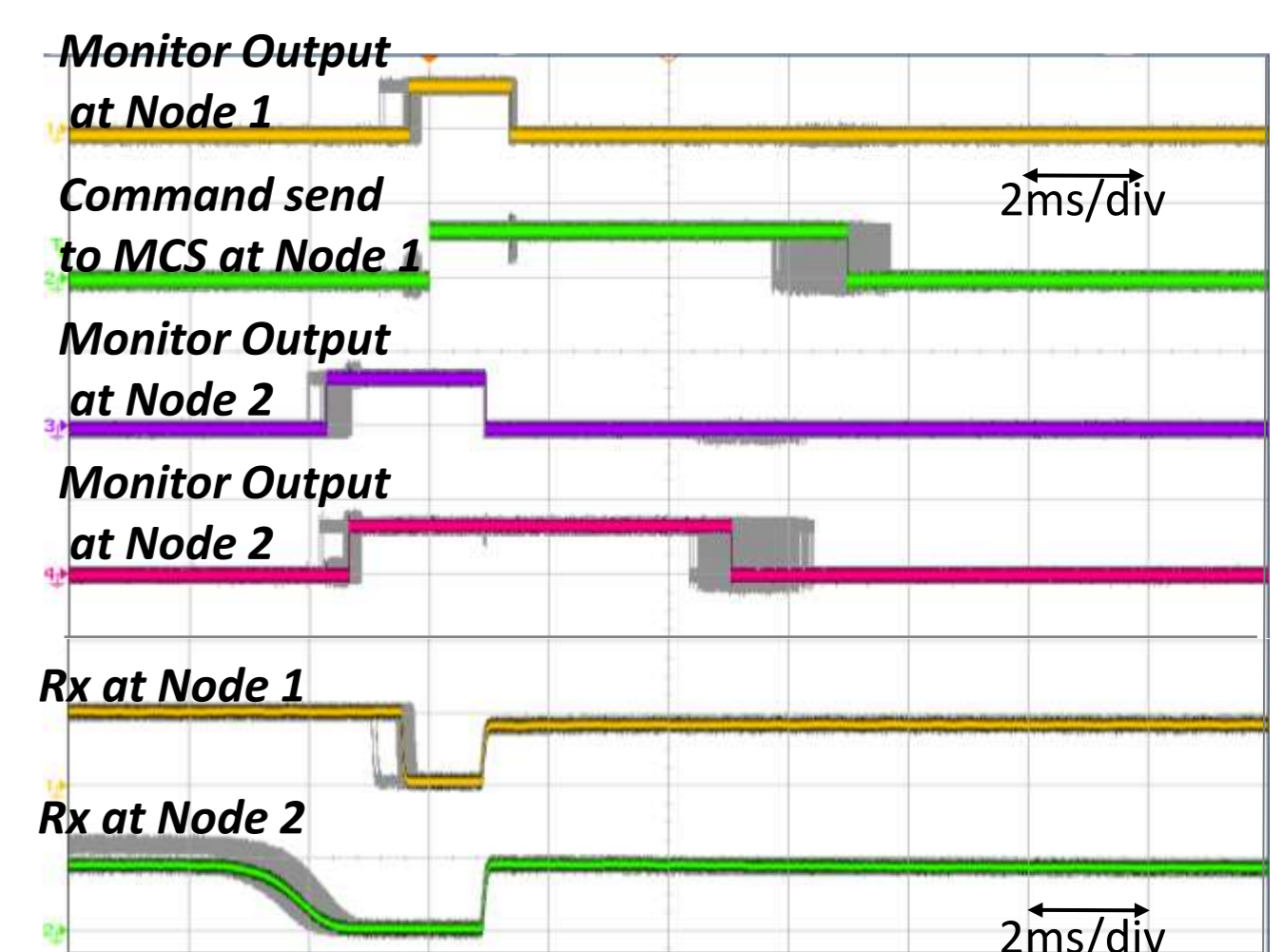
Demonstration Setup: Disaggregated optical node prototyped



Operation Sequence



Measured Waveforms



A node controller is the key to robustly realize disaggregated optical node platforms. The node controller aggregates node components and eases the operations of NMS.